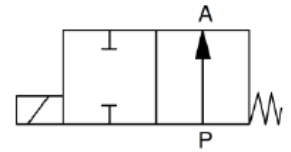


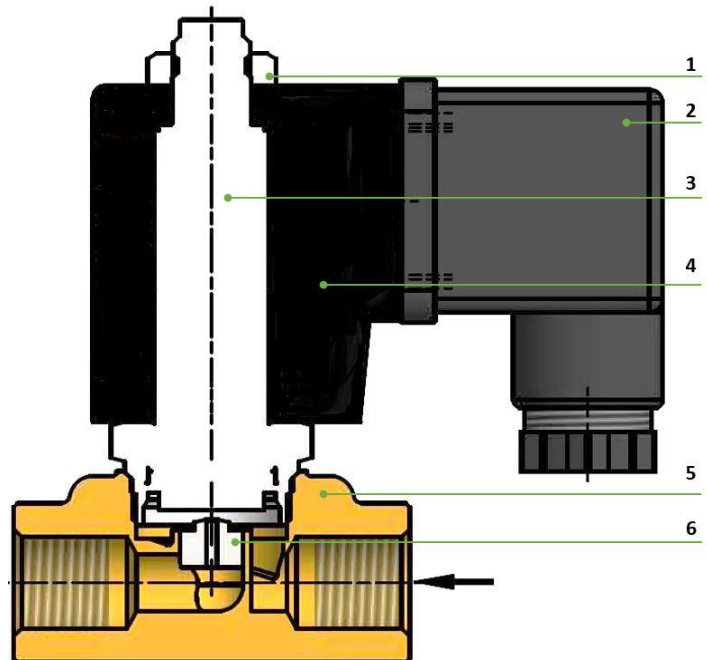
Normal position NO
Housing Brass (CW614N)
Valve seat Stainless steel
Ambient temperature -20 °C to 55 °C
Medium temperature -15 °C to 100 °C (FPM)

Mounting position Solenoid preferably in upright position
Protection IP IP 65 (with connector socket fitted)
Electrical connection Connector socket acc. to DIN EN 175301-803 standard type A
Voltage tolerance ± 10% acc. VDE 0580
Power 230V 50Hz: 17.6VA
110V AC: 17.6VA
24V DC: 15W
12V DC: 15W
Duty cycle 100% ED



Materials

No.	Part	Material
1	Nut	Galvanised steel
2	Connector socket	Plastic
3	NO iron part	Stainless steel, FPM, copper ring
4	Solenoid	Plastic cover
5	Housing	Brass
6	Valve seat nozzle	Stainless steel



P 3-540 e

2/2-way solenoid valves

directly operated
professional standard series
Art. No. 129310 to 129319



Solenoid valve, normally open, directly operated, alternating current

Art. No.	Type No.	Thread	DN	Voltage	Sealant	Operating pressure bar	Flow rate l/min
129310	MVB.14.MS.230.F.RD.2.5	G 1/4	2.5	230V AC	FPM	0 - 10	3.0
129311	MVB.14.MS.230.F.RD.3	G 1/4	3	230V AC	FPM	0 - 6	3.7
129314	MVB.14.MS.24A.F.RD.2.5	G 1/4	2.5	24V AC	FPM	0 - 10	3.0
129315	MVB.14.MS.24A.F.RD.3	G 1/4	3	24V AC	FPM	0 - 6	3.7
129316	MVB.14.MS.110.F.RD.2.5	G 1/4	2.5	110V AC	FPM	0 - 10	3.0
129317	MVB.14.MS.110.F.RD.3	G 1/4	3	110V AC	FPM	0 - 6	3.7

Solenoid valve, normally open, directly operated, direct current

Art. No.	Type No.	Thread	DN	Voltage	Sealant	Operating pressure bar	Flow rate l/min
129312	MVB.14.MS.24D.F.RD.2.5	G 1/4	2.5	24V DC	FPM	0 - 8	3.0
129313	MVB.14.MS.24D.F.RD.3	G 1/4	3	24V DC	FPM	0 - 5	3.7
129318	MVB.14.MS.12.F.RD.2.5	G 1/4	2.5	12V DC	FPM	0 - 8	3.0
129319	MVB.14.MS.12.F.RD.3	G 1/4	3	12V DC	FPM	0 - 5	3.7

